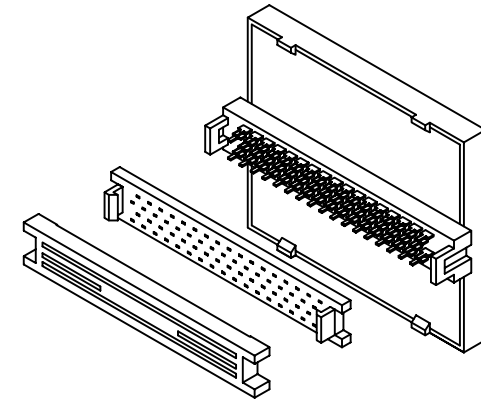
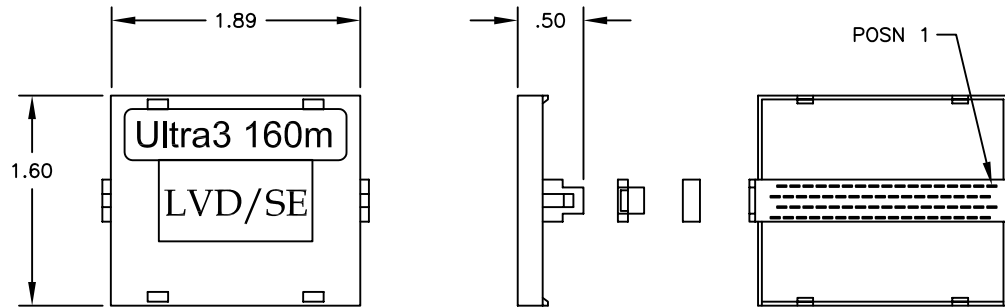
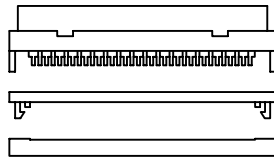


THIS DRAWING AND THE INFORMATION DISCLOSED HEREIN ARE PROPRIETARY DATA OF INTERCONNECT SOLUTIONS INC. AND IS TO BE USED FOR REFERENCE ONLY. REPRODUCTION OF THIS DRAWING OR THE INFORMATION CONTAINED HEREIN IS PROHIBITED WITHOUT THE EXPRESSED WRITTEN APPROVAL OF ISI.


REVISIONS			
REV	DESCRIPTION	DATE	APPD
	CUSTOMER DRAWING		



ISO VIEW



1. TBD.

DWN	H. SETH 2/21/2002	 <b>INTERCONNECT SOLUTIONS INC.</b> 17191 Armstrong Ave. Phone (949) 261-0990 Irvine, CA 92614 Fax (949) 261-0555	
CHK			
APVD		TITLE SCSI TERMINATOR, U160 IDC VERSION	
TOLERANCES UNLESS OTHERWISE SPECIFIED DIMENSION ARE IN INCHES		SIZE B	NUMBER TTI210002B
DECIMALS FRACTIONS ±1/64 X ±.100 ANGLES ±1/2° XX ±.010 XXX ±.005		SCALE NONE	SHEET <u>1</u> of <u>1</u>