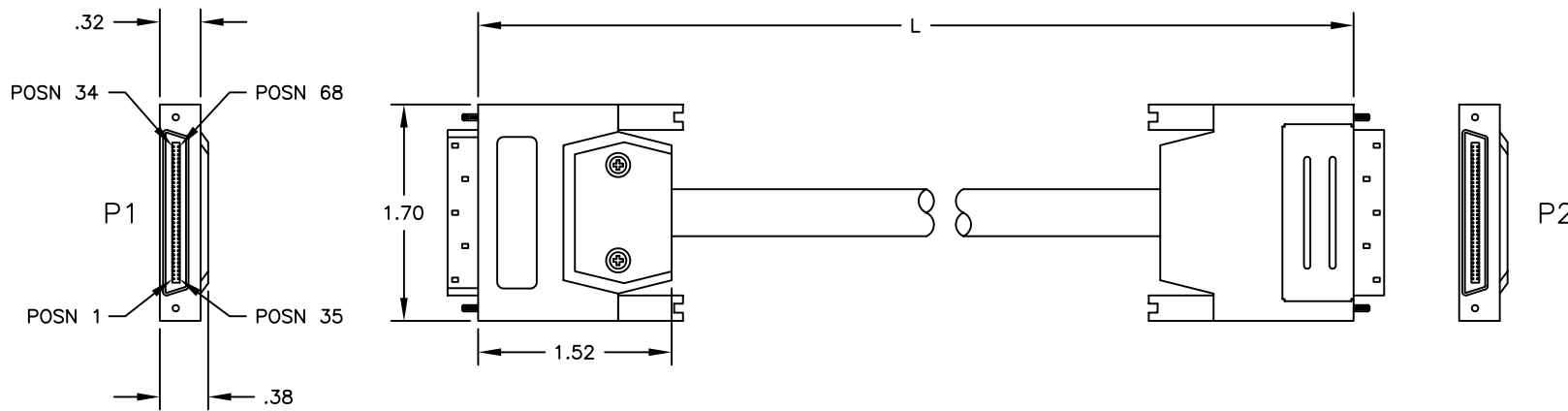


THIS DRAWING AND THE INFORMATION DISCLOSED HEREIN ARE PROPRIETARY DATA OF INTERCONNECT SOLUTIONS INC. AND IS TO BE USED FOR REFERENCE ONLY. REPRODUCTION OF THIS DRAWING OR THE INFORMATION CONTAINED HEREIN IS PROHIBITED WITHOUT THE EXPRESSED WRITTEN APPROVAL OF ISI.


REVISIONS

REV	DESCRIPTION	DATE	APPD
-----	-------------	------	------



6. CABLE MUST BE 100% ELECTRICALLY TESTED.
5. CABLE MUST WITHSTAND 35LBS OF PULL AT STRAIN RELIEF WITH NO EVIDENCE OF DAMAGE OR SLIPPAGE.
4. MALE THUMBSCREWS HAVE .256 THREADS (X4).
3. ALL U160/U320 ASSEMBLIES BUILT WITH 30AWG MADISON SCSI CABLES
2. 100% SHIELDING FROM P1 TO P2 END.
1. SEE SHEET 2 FOR WIRING SCHEMATIC.

5 METER	$\pm\frac{30}{-00}$ CM	ICE230003B005M
2 METER	$\pm\frac{20}{-00}$ CM	ICE230003B002M
1 METER	$\pm\frac{10}{-00}$ CM	ICE230003B001M
DIM "L"		PART NUMBER

DWN	H. SETH 2/20/2002	 INTERCONNECT SOLUTIONS INC. 17191 Armstrong Ave. Phone (949) 261-0990 Irvine, CA 92614 Fax (949) 261-0555	
CHK			
APVD			
TITLE		CABLE ASSEMBLY, OFFSET VHDCI TO OFFSET VHDCI, U160/U320	
TOLERANCES UNLESS OTHERWISE SPECIFIED DIMENSION ARE IN INCHES		SIZE	NUMBER
DECIMALS FRACTIONS $\pm\frac{1}{64}$		B	ICE230003BXXXXM
X $\pm.100$ ANGLES $\pm\frac{1}{2}$		SCALE NONE SHEET <u>2</u> of <u>2</u>	
XX $\pm.010$			
XXX $\pm.005$			